



# C SERIES™

## OWNERS MANUAL

**CTL+**



**CSL**



**CTL**



**CS**



*THANK YOU FOR YOUR PURCHASE OF THIS VIRIDIAN PRODUCT.*

*PLEASE READ AND FOLLOW THE INSTRUCTIONS IN THIS MANUAL TO GET THE MOST OUT OF YOUR VIRIDIAN PRODUCT.*

Do not return this item to the store. Contact Viridian Weapon Technologies directly for all warranty and service issues. Please contact Viridian at 763-479-4091 or email at [Support@ViridianWeaponTech.com](mailto:Support@ViridianWeaponTech.com).

### SAFETY SUMMARY (Applicable to Laser Products)

#### **LASER LIGHT - AVOID DIRECT EYE EXPOSURE!**

**CAUTION!** Direct eye exposure to lasers can cause temporary or permanent eye damage.

**DO NOT** stare into the laser beam.

**DO NOT** look into the laser beam through binoculars or telescopes.

**DO NOT** point the beam at mirror-like surfaces.

**DO NOT** shine the laser beam into or near anyone's eyes.

**DO NOT** point the laser at any person, animal, or moving vehicle, including aircraft.

#### **This product is compliant to:**

EN/IEC 60825-1 2014(EU)/60825-1 2007(USA)

**IMPORTANT:** Laser Warning label supplied must be installed on the firearm with the "Laser Aperture" arrow pointing to the Laser Diode Lens.

#### **VIRIDIAN GREEN® WARNING LABEL**



**Output Power:** <5 mW

**Wavelength:** 510-532nm

**Emission Type:** CW/Pulse

**Beam Diameter:** <3mm at aperture

**Class 3R Laser Product**

**Wavelength:** 635-650nm

**Emission Type:** CW/Pulse

**Beam Diameter:** <3mm at aperture

## WARNINGS

1. Before handling any firearm with a Viridian® product, read and understand the entire contents of your firearm manual provided as well as the Viridian manual, especially the safety precautions and procedures for safe firearms handling.
2. Failure to follow the correct safety precautions and safe firearms handling techniques outlined in your firearm and Viridian® operator's manuals when handling a firearm with the Viridian® product can result in serious injury, damage to property, or death.
3. Always practice safe firearms handling techniques when handling a firearm with or without the Viridian® product.
4. Never point a firearm, with or without the Viridian® product attached, at anything or anyone that you do not intend to shoot.
5. Once the Viridian® product is attached to a firearm, the firearm will be pointed at anything to which the Viridian® product is directed. Do not point the Viridian® product at anything or anyone that you do not intend to shoot.
6. The activation buttons on the Viridian® product allow you to operate the laser without placing your finger inside the trigger guard. Always keep your fingers off the trigger and outside the trigger guard until you are ready to fire the weapon.
7. Always verify that the chamber of the weapon is empty or "clear" before attempting to mount or dismount the Viridian®. Follow the "clearing" procedures as set forth in the manual for your firearm.
8. Always remove the Viridian® product from the firearm when performing maintenance or cleaning of the Viridian® product.
9. Always make sure the weapon is "clear" and on safe before making windage / elevation adjustments.
10. Failure to follow any of the safety warnings listed above when handling a firearm and/or the Viridian® product can be dangerous and can result in serious injury, damage to property, or death.
11. Do not operate the Viridian® product around cleaning solvents or flammable / combustible materials. Avoid use of the Viridian® product in environments involving a flammable atmosphere or gasses, such as evaporated gasoline. Do not use the Viridian® product in areas where gasoline, paints and solvents or other flammable liquids are stored.
12. The Viridian® product should be tested periodically during periods of non-usage to ensure its proper functioning. When anticipating usage of and reliance upon the Viridian® product, check the product beforehand to ensure proper working order.
13. Proper functioning of the Viridian® product is dependent upon an adequately charged battery. Use care when handling battery. Any battery may leak harmful chemicals which may damage skin, clothing, the Viridian® product, or the gun itself. To avoid risk of injury, do not let any material leaked from a battery come in contact with eyes or skin. Do not expose battery to excessive heat. Follow battery manufacturers' instructions as to proper handling, storage and disposal of battery.
14. Caution - Use of controls or adjustments or performance of procedures other than those specified herein may result in hazardous radiation exposure.

## MAINTENANCE

There are no user serviceable parts in this product and no scheduled maintenance required to keep this laser in compliance. Regular cleaning after each use as outlined below will keep this product performing at its best. This unit is not to be opened or modified by the customer and such actions will void your warranty.

**Front Lens Cleaning:** Use a moistened cotton swab to periodically clean the front lens of gun powder residue. This step is important to prevent any degradation in the quality of the aiming point and/or beam.

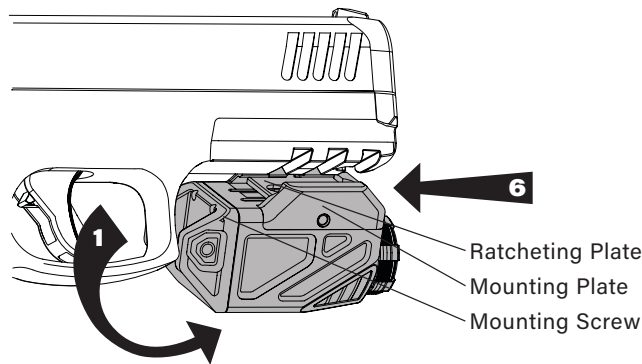
**Exterior Of Unit:** Clean the exterior of the product by wiping with a soft, damp cloth. Standard gun cleaning solvents may be used to clean stubborn areas.

## ZEROING PROCEDURES

(Applicable to Laser Products)

- Ensure the firearm is unloaded and pointed in a safe direction.
- Set up a target with a clearly visible aiming point.
- Align the E Series to the iron sights of your firearm at the distance that you want to be your zero.
- Load and fire a shot group at the target using the laser to aim.
- Unload and make weapon safe.
- Adjust the windage and elevation so the laser is in the center of the shot group.
- Confirm the zero by firing at least three shots at the target and repeat the zeroing procedure if required.

## MOUNTING



1. Loosen the mounting screw taking care not to loosen too far so mounting plate stays attached.
2. Squeeze mounting plate to release tension on ratcheting plate.
3. Move ratcheting plate to desired position so the raised tab on the ratcheting plate fit in the groove of the pistol's cross slot.
4. Hook the right side of the light on to the rail of the pistol.
5. Swing the device so the other side attaches to the rail of the pistol. The raised tabs on the ratcheting plate should be in the groove of the pistol's cross slot.
6. With the cross slot screw still loose, slide the device towards the trigger guard as far as you can.
7. Now that the device is mounted on the pistol's rail, use your included Allen wrench to tighten the mounting screw. Be careful to not over-tighten the mounting screw.

## OPERATION

The Viridian pistol lights and lasers feature ambidextrous activation buttons. Press either button once to activate the unit. The products feature multiple modes depending on what situation you are in. Press and release both buttons at the same time to change modes. Continue to press and release both buttons at the same time to toggle through the modes. Modes are:

1. **Laser Only**
2. **Light Only**
3. **Laser & Light**
4. **Laser & Strobe Light**

Once you choose the mode, the unit will remember that setting until it is changed again. To deactivate the unit, press either button once.

## BATTERY AND RECHARGING

Your Viridian device features an internal rechargeable battery. Before your first use, it is recommended to full charge your device.

Attach either the magnetic charging cord to your device and the USB-A end to an external power source. Charging times vary depending on the power source.

## LED BATTERY INDICATOR

Your Viridian device features a dual-color LED battery indicator. When the charger is connected to the device, the battery indicator will be red. When the device is fully charged, the battery indicator will be GREEN. When the device is ON, the red LED light will start blinking when the battery capacity is below 20%. This is an indication that the device needs to be recharged.

## LIFETIME LIMITED WARRANTY

Viridian Weapon Technologies ("Viridian") warrants for the lifetime of its laser sight, light and optics products, that the product will be free from defects in material and workmanship. Viridian® will repair or replace, at its option, any product or part which is found to be defective under normal use and service, without charge. Viridian's obligation to repair or replace, at Viridian's option, shall be the purchaser's sole and exclusive remedy under this warranty. This warranty does not apply to electrical components, batteries or charging devices. Viridian provides a limited warranty on electrical components of Viridian devices for 5 years from the date of manufacture.

Viridian branded rechargeable batteries and SafeCharge devices have a limited warranty of 2 years from the date of manufacture (disposable batteries are not warrant-ed). See more details on the non-lifetime warranty restrictions on applicable product pages.

Disassembly, modification or otherwise opening up the housing of the unit, natural or typical wear and tear, or any product misuse by the customer voids the warranty. Warranty does not apply to damage due to accident or natural disaster. Warranty does not extend to decline in performance due to normal aging, cosmetic issues, or to issues caused by product misuse. See specifications, operational instructions and warnings in owners manuals available at [www.ViridianWeaponTech.com](http://www.ViridianWeaponTech.com). This warranty extends only to the original owner and only to CURRENT products listed on the website. Warranty does not apply to discontinued or closeout items.

THERE ARE NO WARRANTIES, EXPRESS OR IMPLIED, OTHER THAN AS SET FORTH ON THIS PAGE, AND LASER AIMING SYSTEMS CORPORATION DISCLAIMS ANY WARRANTIES OF MERCHANTABILITY OR FITNESS FOR A PARTICULAR PURPOSE. LASER AIMING SYSTEMS CORPORATION SHALL NOT BE LIABLE FOR INCIDENTAL, CONSEQUENTIAL OR SPECIAL DAMAGES ARISING OUT OF OR IN CONNECTION WITH PRODUCT USE OR PERFORMANCE.

For repair or exchange, we require that you send your non-working product to us. Please call or email to receive an RMA number along with a prepaid shipping label. In your package please include a copy of the sales receipt along with any other information needed. Shipping fees will be charged to customers outside of the Continental United States.

Do not return this item to the store. Contact Viridian Weapon Technologies directly for all warranty and service issues.  
Please contact Viridian at 763-479-4091 or email at [Support@ViridianWeaponTech.com](mailto:Support@ViridianWeaponTech.com).